

NEW Generation Load Cells

Hygienic Beam Load Cell HBL



Special Features

- Patented hygienic design
- Made in Denmark
- Produced in Stainless steel
- Robust capacitive technology
- Patented high reliability capacitive sensor
- High tolerance of up to 1000% overload
- Laser welded (IP68)
- High accuracy, High resolution
- Small deflection at rated capacity
- Capacity (Emax): 5, 10, 20, 30, 50, 100, 150kg
- Accuracy: Industrial 0.025% Precision 0.015% High Precision 0.010%
- High resonance frequency (spring rate) for rapid dynamic weighing
- Digital filters
- Cable length up to 100meters
- Calibration independent of cable length
- Load cell cable replaceable
- Easy mechanical and electrical installation
- Withstands welding voltages and ESD

Applications

Applications

- Hygienic weighing
- Combination weighers
- Multihead weighers
- Filling machines
- Small tanks and vessels



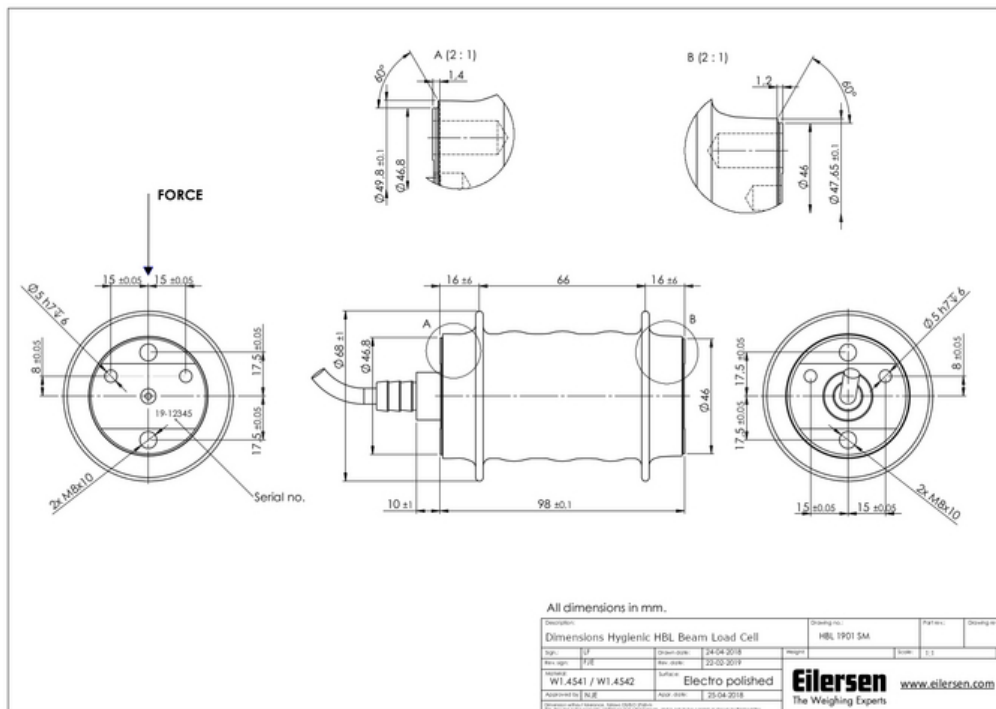
Specifications

Parameter	Unit	0.025%	0.015%
Rated capacity (E_{max})	kg	5, 10, 20, 30, 50, 100, 150*	
Safe overload limit	% of E_{max}	300 to 1000	
Safe sideload limit	% of E_{max}	500 to 2000	
Minimum dead load	% of E_{max}	0	
Accuracy	% of E_{max}	0.025	0.015
Repeatability	% of E_{max}	0.008	0.005
Hysteresis	% of E_{max}	0.010	0.005
Creep 30 min.	% of E_{max}	0.015	0.010
Temperature effect on zero	% /10°C	0.030	0.020
Temperature effect on sensitivity	% /10°C	0.030	0.020
Compensated temperature range	°C	-10 to 50	
Operating temperature range	°C	-50 to 70 (100**)	
Deflection at E_{max}	mm	max 0.10	
Measuring rate	Hz	Up to 1000	
Supply	Vdc	24Vdc \pm 5%	
Internal resolution	Bit	24	
Material	Stainless Steel 17-4PH and AISI316		
Protection	IP68		
Cable	6meter standard coaxial RG-58 (\varnothing 6mm) with BNC connector		
Maximum cable length	m	100	
Weight	kg	1.5	
Output options	EtherNet/IP, PROFINET, EtherCAT, Profibus DP, Modbus TCP/IP, RS485/422, 4-20mA, 0-10Vdc		

* available in other capacities on request

** with Teflon cable

Dimensions (mm)



Options

- ATEX (Zone 1, 2, 21, 22) version type HBL-Ex
- ATEX II 2G Ex ia IIC T6 / ATEX II 2D Ex iaD 21 T85°C
- Customized versions available
- Load cell cable length 10, 20, 50 or 100meters
- Special PE load cell cable available for freezing low temperature (can be used down to -50 degrees Celsius)
- Special Teflon load cell cable available for very high temperature (can be used up to 100 degrees Celsius)

Documentation

- Digital Beam Load Cell Type HBL Dimensions PDF
- HBL Beam Load Cell STEP 3D CAD File (right click -> "Save as...")
- Guideline Correct Mounting of BNC Connector (UK) PDF
- VIDEO - Correct Mounting of BNC Connector (UK) PDF

Disclaimer and Legal Information: The information on this web site is provided in connection with products supplied by Eilersen Electric A/S and affiliated companies ("Eilersen"). No license, expressed or implied, to any intellectual property rights is granted by this information or any documents on the web site. Eilersen assumes no liability and disclaims any expressed or implied warranty, relating to sale and/or use of Eilersen products including liability or warranties relating to fitness for a particular purpose. The information on this web site is provided as a service and for information purpose only and is subject to change without prior notice. Eilersen assumes no responsibility or liability whatsoever for any errors or inaccuracies that may appear on this web site. Eilersen is not responsible for any loss of hardware, software or files, caused by the use of the web site or elements downloaded or used from/on the web site. Hence Eilersen makes no warranty, that the web site or product or services provided on the web site (including free software downloads) will meet your requirements or will be uninterrupted, timely, secure or without errors, or that the web site or the servers used by Eilersen are free of viruses or bugs or are fully functional or accurate.